

KEPCO MODEL PC-15 MATING CONNECTOR (WIRED, FOR BOP 100-400W MODELS)

DESCRIPTION: The Kepco Model PC-15 is a 50 terminal connector, equipped with cable shell, cable clamp and locking screws. The PC-15 is designed to provide the correct termination for local (front panel) control of Kepco BOP 100W, BOP 200W and BOP 400W Models.

INSTALLATION

- 1) Unpack the Model PC-15 connector from the polyethylene bag.
- 2) Mate connector with the BOP rear edge connector.
- 3) Secure Model PC-15 connector to the chassis of the BOP by engaging and hand-tightening the two knurled fastening screws.

MECHANICAL OUTLINE DRAWING: Refer to FIG. 2 (reverse side).

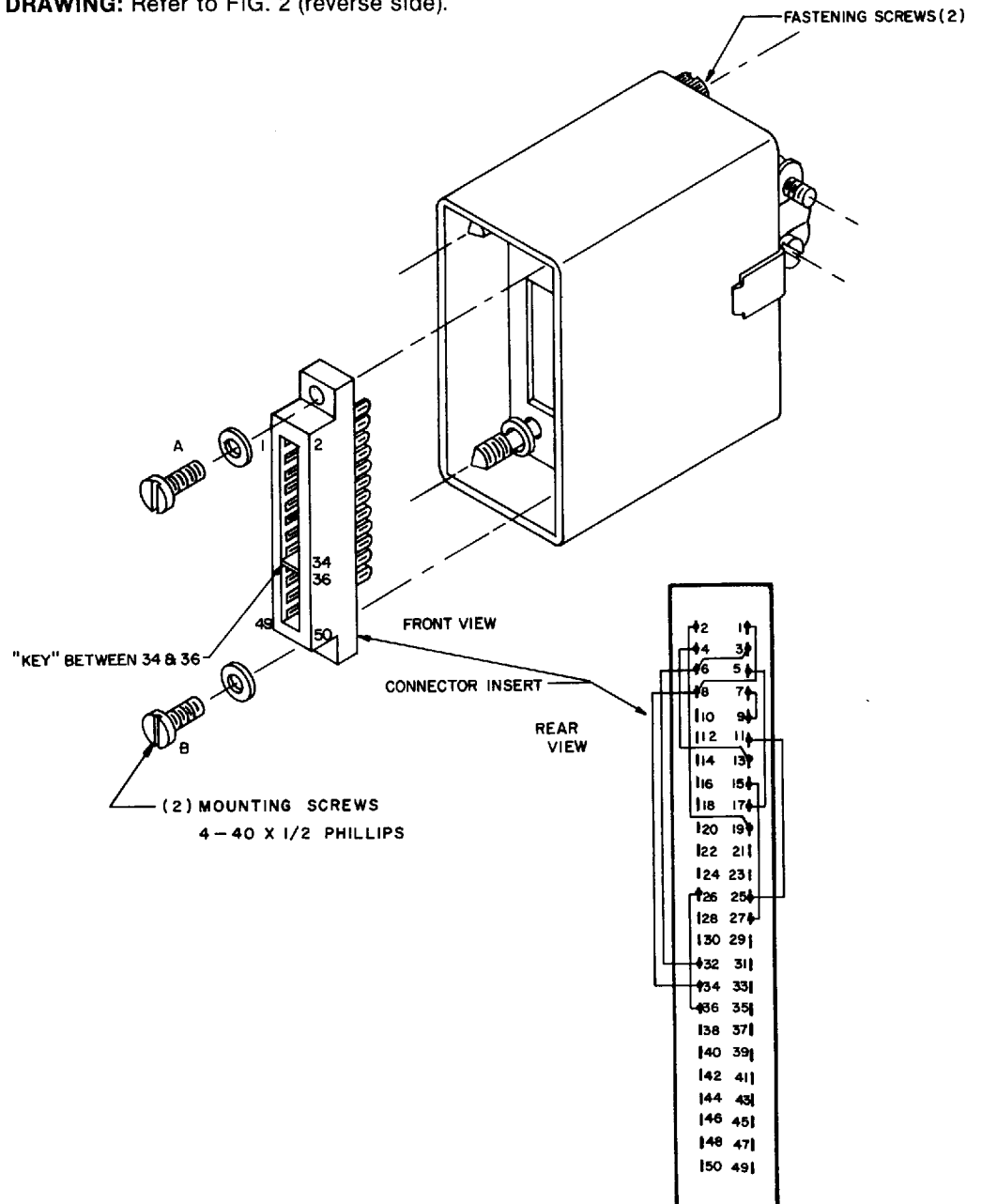


FIG. 1 DISASSEMBLED VIEW OF THE PC-15 MATING CONNECTOR.

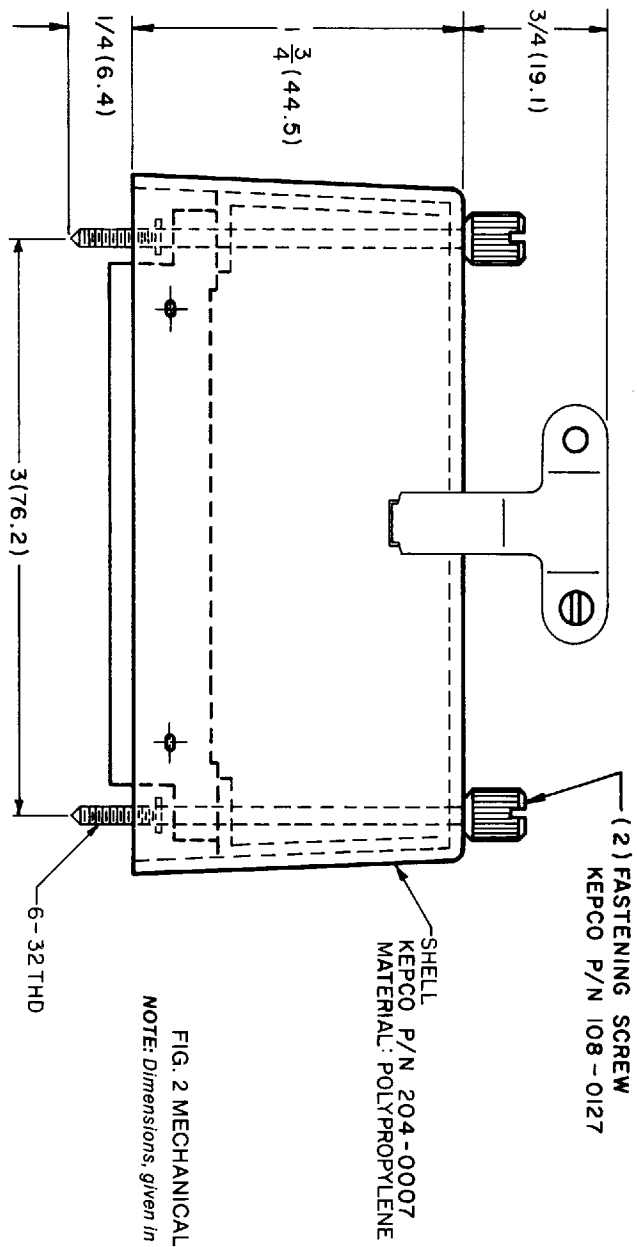


FIG. 2 MECHANICAL OUTLINE DRAWING, MODEL PC-15
NOTE: Dimensions, given in inches and (millimeters), are for reference only.

